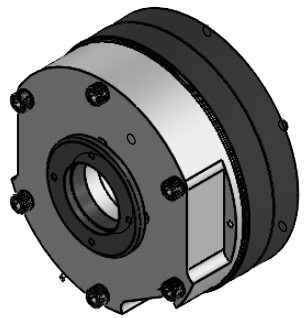
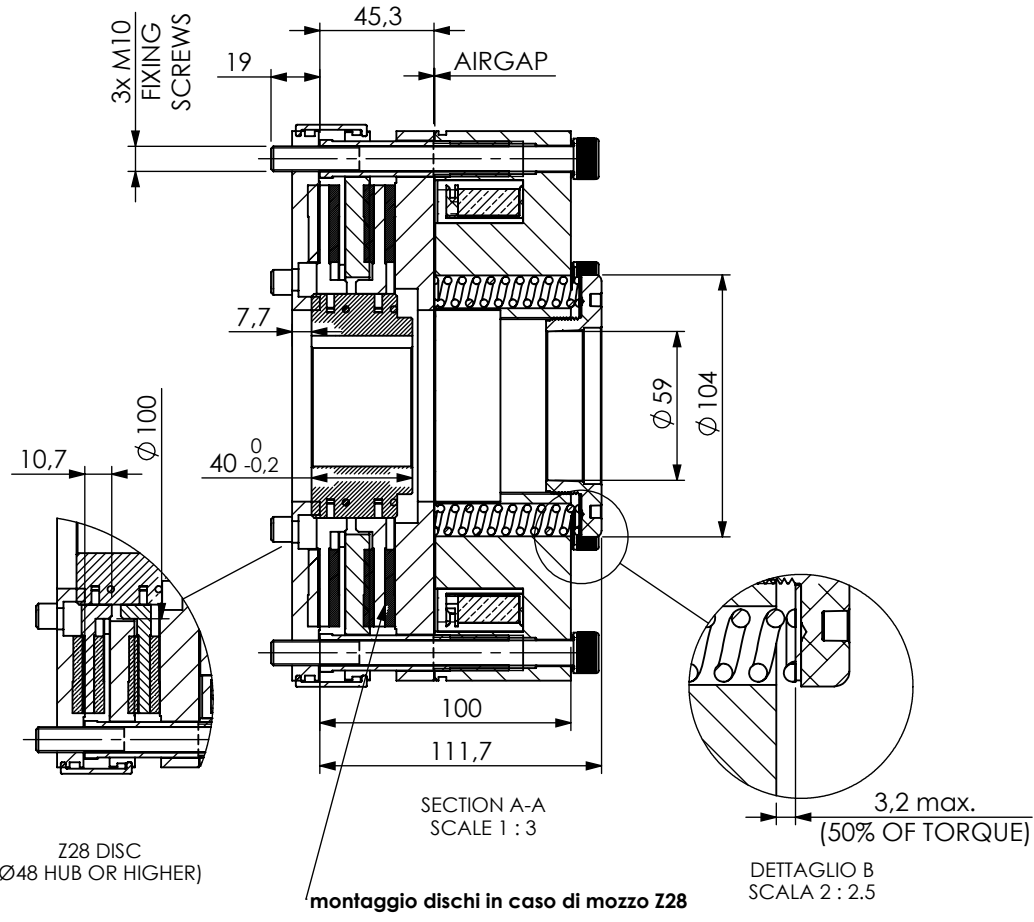
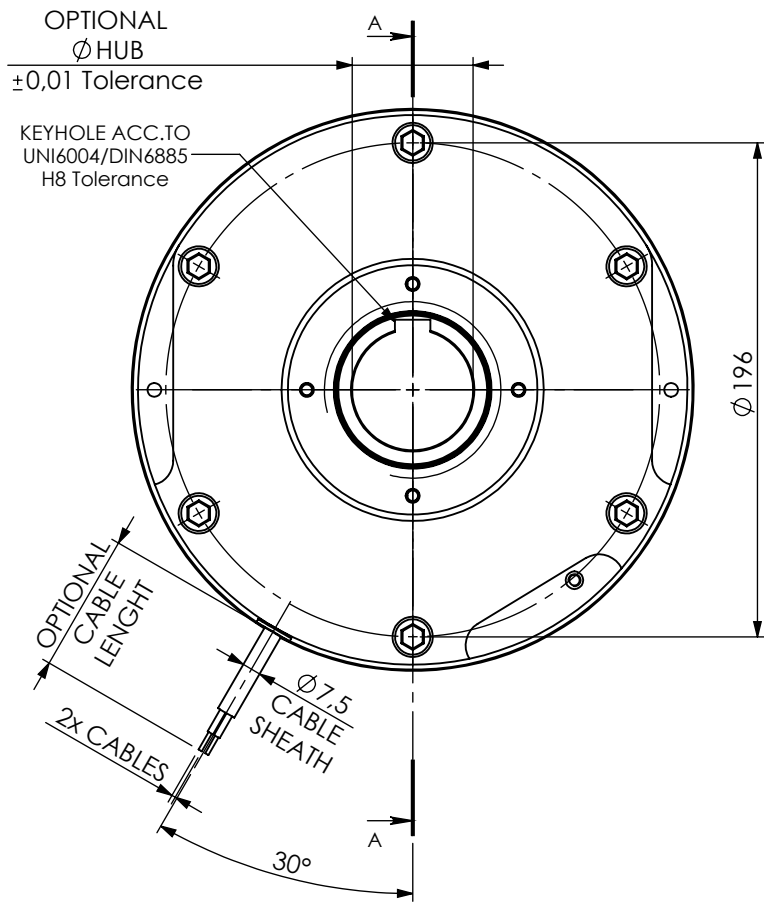


<b>CHEMICAL TREATMENT:</b> <b>TERMICAL TREATMENT:</b>		This drawing replaces all previous revisions		<b>REV.:</b> 13/09/2023 15:12:46						
<b>CHARACTERISTICS DEFINITION:</b>		<b>GENERAL TOLERANCES ACCORDING TO:</b> UNI -EN 22768-cK	<b>GENERAL Ra:</b>							
<table border="1"> <thead> <tr> <th>SYMBOL</th> <th>DEFINITION</th> </tr> </thead> <tbody> <tr> <td><math>\triangle</math></td> <td>CRITICAL DIMENSION QUALITY CONTROL BALOON</td> </tr> <tr> <td><math>\circ</math></td> <td>STANDARD DIMENSION QUALITY CONTROL BALOON</td> </tr> </tbody> </table>		SYMBOL	DEFINITION	$\triangle$	CRITICAL DIMENSION QUALITY CONTROL BALOON	$\circ$	STANDARD DIMENSION QUALITY CONTROL BALOON	6.3    3.2    1.2 3.2    1.6    0.8    RETTIFICA		
SYMBOL	DEFINITION									
$\triangle$	CRITICAL DIMENSION QUALITY CONTROL BALOON									
$\circ$	STANDARD DIMENSION QUALITY CONTROL BALOON									
<b>MATERIAL:</b>		<b>NON DIMENSIONED EDGES:</b> 0,2x45°								
<b>PESO:</b> g		<b>DRAWING NAME:</b> <h2>K08D Brake group</h2>								
g		<b>Temporiti srl</b> Via Mattei, 8 - 20010 Mesero (MI) tel. 02 9787331 - fax 02 97289574		A4						
<b>DRAWN BY:</b> FF		<b>CHECKED BY:</b> GO	<b>SCALE:</b> 1:2	<b>PAGE</b> 1 di 1						



<b>CHEMICAL TREATMENT:</b>		<b>TERMICAL TREATMENT:</b>		This drawing replaces all previous revisions <b>REV.:</b> 13/09/2023 15:45:52							
<b>CHARACTERISTICS DEFINITION:</b>		<b>GENERAL TOLERANCES ACCORDING TO:</b> UNI -EN 22768-cK		<b>GENERAL Ra:</b> 6,3 3,2 1,6 0,8 <small>RETIFICA</small>							
<b>NON DIMENSIONED EDGES:</b> 0,2x45°		<b>DRAWING NAME:</b> <h1>K08D Brake group</h1>									
<table border="1"> <thead> <tr> <th>SYMBOL</th> <th>DEFINITION</th> </tr> </thead> <tbody> <tr> <td></td> <td>CRITICAL DIMENSION QUALITY CONTROL BALOON</td> </tr> <tr> <td></td> <td>STANDARD DIMENSION QUALITY CONTROL BALOON</td> </tr> </tbody> </table>		SYMBOL	DEFINITION		CRITICAL DIMENSION QUALITY CONTROL BALOON		STANDARD DIMENSION QUALITY CONTROL BALOON	<b>MATERIAL:</b>			
SYMBOL	DEFINITION										
	CRITICAL DIMENSION QUALITY CONTROL BALOON										
	STANDARD DIMENSION QUALITY CONTROL BALOON										
<b>PESO:</b> g		<b>Temporiti srl</b> Via Mattei, 8 - 20010 Mesero (MI) tel. 02 9787331 - fax 02 97289574		<b>A4</b>							
<b>DRAWN BY:</b> FF		<b>CHECKED BY:</b> GO		<b>SCALE:</b> 1:2							
<b>PAGE</b> 1		<b>di</b> 1									