

1 2 3 4 5 6

A

B

C

D

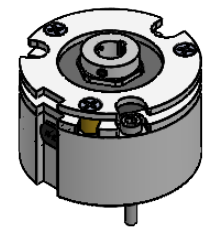
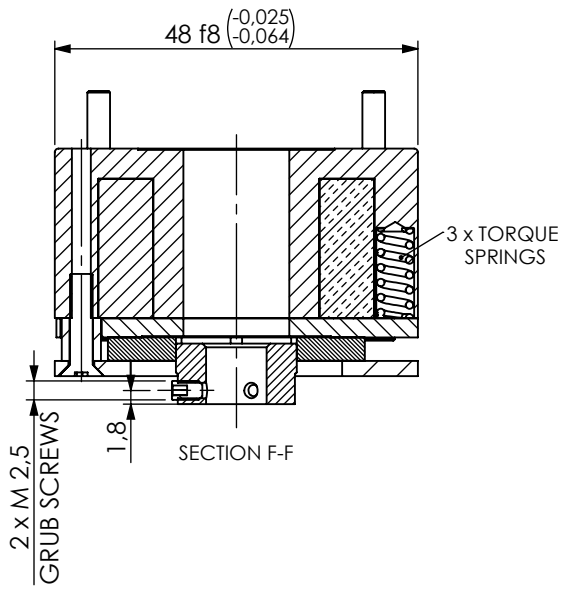
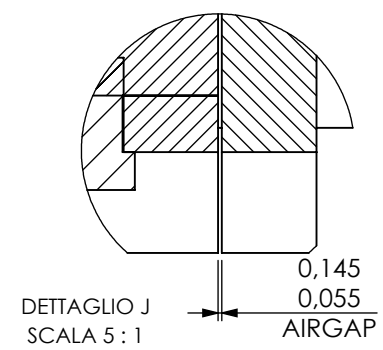
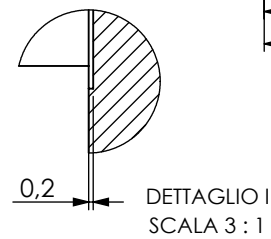
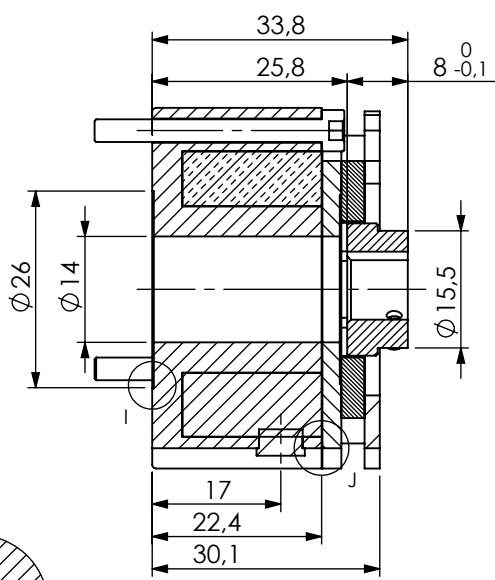
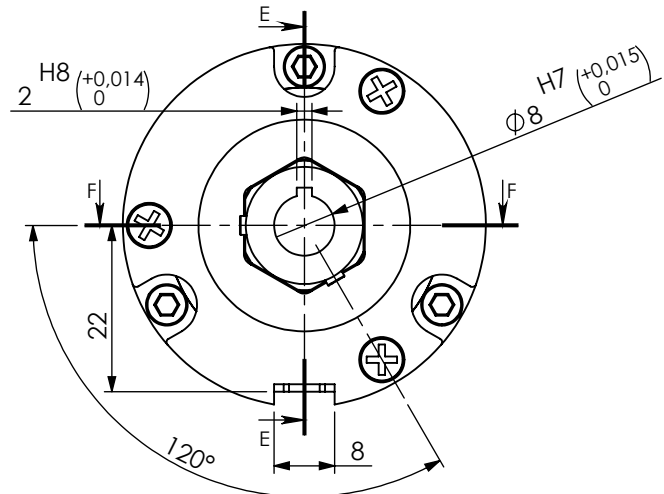
A

B

C

D

BRAKE SPECS.	
Nominal brake static torque	1.9Nm
Nominal voltage	24Vdc
Nominal wattage	7.2W
Nominal current	0.3A
Insulation class	F
Max. speed	6000rpm
Coil protection	IP54



CHEMICAL TREATMENT: This drawing replaces all previous revisions	TERMICAL TREATMENT: This drawing replaces all previous revisions	REV.: 30/05/2023 14:33:35
GENERAL TOLERANCES ACCORDING TO: UNI -EN 22768-cK	GENERAL Ra: 6,3 3,2 1,6 0,8 1,2 RETIFICA	() () ()
CHARACTERISTICS DEFINITION: SYMBOL DEFINITION (n) CRITICAL DIMENSION QUALITY CONTROL BALOON (n) STANDARD DIMENSION QUALITY CONTROL BALOON	NON DIMENSIONED EDGES: 0,2x45°	DRAWING NAME: SMB060 Brake group
MATERIAL:	Temporiti srl Via Mattei, 8 - 20010 Mesero (MI) tel. 02 9787331 - fax 02 97289574	A4
PESO:	DRAWN BY: FF	CHECKED BY: GO
SCALE: 1:2	PAGE 1 di 1	SCALE: 1:2