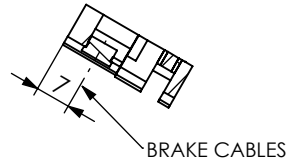
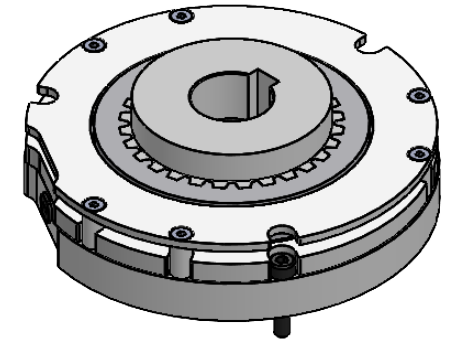


SECTION A-A
SCALE 1 : 1.5



SECTION D-D
SCALE 1 : 1.5

BRAKE SPECS.	
Nominal brake static torque	22Nm
Nominal voltage	24Vdc
Nominal wattage	51W
Nominal current	2.1A
Nominal resistance	10.5Ω
Insulation class	F
Max. speed	6000rpm
Coil protection	IP54
Weight	2kg



<p>CHIMICAL TRATMENT: TERMICAL TRATMENT:</p>	<p>This drawing replaces all previous revisions</p>		<p>REV.: 05/06/2023 13:58:21</p>												
<p>CHARACTERISTICS DEFINITION:</p> <table border="1"> <thead> <tr> <th>SYMBOL</th> <th>DEFINITION</th> </tr> </thead> <tbody> <tr> <td></td> <td>CRITICAL DIMENSION QUALITY CONTROL BALOON</td> </tr> <tr> <td></td> <td>STANDARD DIMENSION QUALITY CONTROL BALOON</td> </tr> </tbody> </table>	SYMBOL	DEFINITION		CRITICAL DIMENSION QUALITY CONTROL BALOON		STANDARD DIMENSION QUALITY CONTROL BALOON	<p>GENERAL TOLERANCES ACCORDING TO: UNI -EN 22768-cK</p>	<p>GENERAL Ra:</p> <table border="1"> <tr> <td>6.3</td> <td>3.2</td> <td>1.2</td> </tr> <tr> <td>3.2</td> <td>1.6</td> <td>0.8</td> </tr> </table> <p>RETIFICA</p>	6.3	3.2	1.2	3.2	1.6	0.8	<p>NON DIMENSIONED EDGES: 0,2x45°</p>
SYMBOL	DEFINITION														
	CRITICAL DIMENSION QUALITY CONTROL BALOON														
	STANDARD DIMENSION QUALITY CONTROL BALOON														
6.3	3.2	1.2													
3.2	1.6	0.8													
<p>MATERIAL:</p>	<p>DRAWING NAME: SMB110 Brake group</p>														
<p>PESO: g</p>	<p>Temporiti s.r.l. Via Mattei, 8 - 20010 Mesero (MI) tel. 02 9787331 - fax 02 97289574</p>		<p> A4</p>												
<p>DRAWN BY: FF</p>	<p>CHECKED BY: GO</p>	<p>SCALE: 1:2</p>	<p>PAGE 1 di 1</p>												