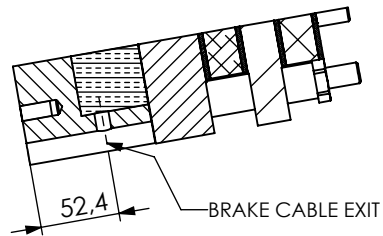
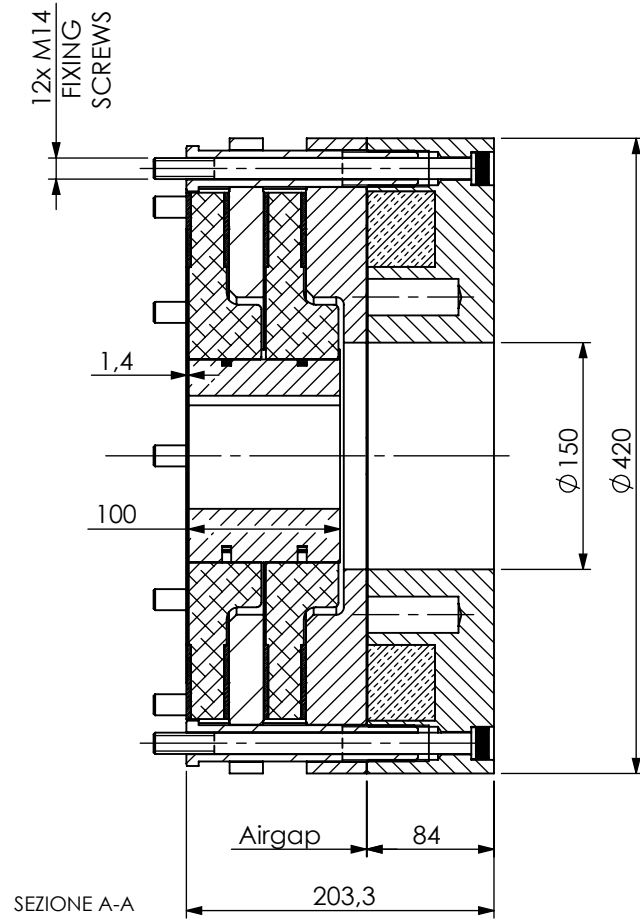
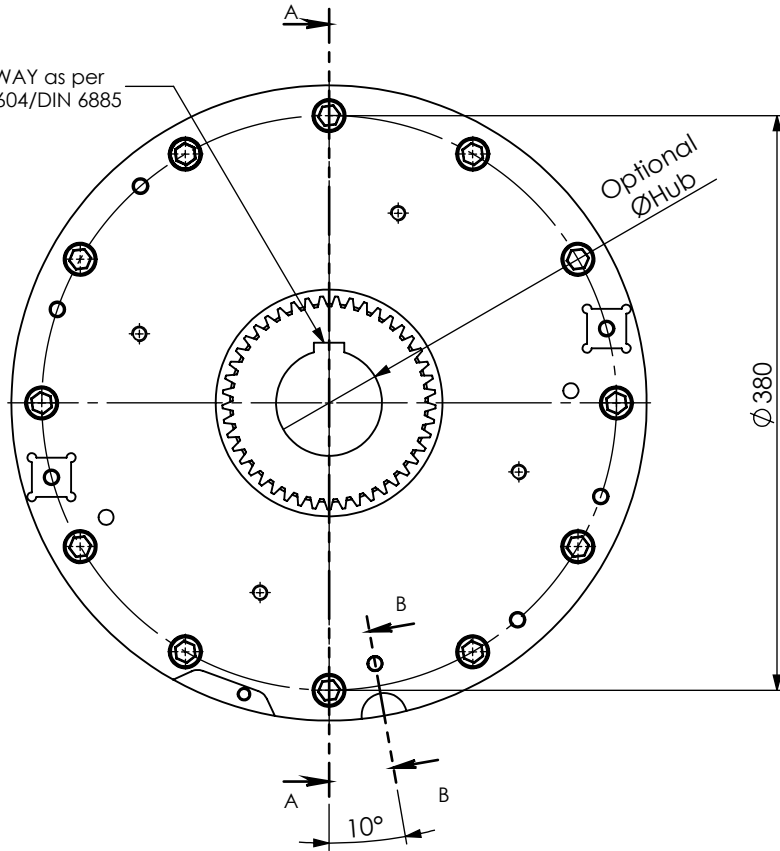
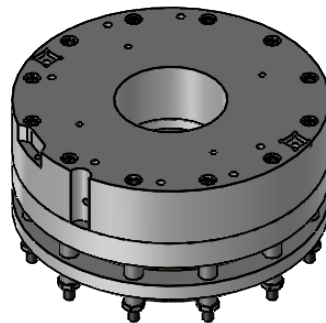


KEYWAY as per UNI 6604/DIN 6885

Optional  $\varnothing$ Hub



SEZIONE B-B



SEZIONE A-A

<b>CHEMICAL TREATMENT:</b> <b>TERMICAL TREATMENT:</b>		This drawing replaces all previous revisions <b>REV.:</b> 27/05/2020 14:02:40	
<b>GENERAL TOLERANCES ACCORDING TO:</b> UNI - EN 22768-cK		<b>GENERAL Ra:</b> 6.3 / 3.2 / 1.6 / 0.8 <small>RETIFICA</small>	
<b>CHARACTERISTICS DEFINITION:</b>		<b>NON DIMENSIONED EDGES:</b> 0,2x45°	
<b>SYMBOL</b>	<b>DEFINITION</b>	<b>DRAWING NAME:</b>	
	CRITICAL DIMENSION QUALITY CONTROL BALOON	<h1>K12D Brake group</h1>	
	STANDARD DIMENSION QUALITY CONTROL BALOON		
<b>MATERIAL:</b>		<b>Temporiti srl</b> Via Mattei, 8 - 20010 Mesero (MI) tel. 02 9787331 - fax 02 97289574	
<b>PESO:</b>		<b>DRAWN BY:</b> SP	<b>CHECKED BY:</b> GO
		<b>SCALE:</b> 1:5	<b>PAGE</b> 1 di 1